



**WACKER
NEUSON**
all it takes!

803

Tracked Conventional Tail Excavators



803 – A little giant.

The 803 is the smallest Wacker Neuson excavator – but what it lacks in size, it makes up in strength. Its compact size, at just 700 mm wide, makes it ideal for demolition and renovation work within buildings. The rubber tracks do not damage floors and it can easily drive through internal doors. Hydraulic functionality has been given particular attention. The standard auxiliary hydraulics permits the operation of various hydraulic attachments, such as the perfectly matched Wacker Neuson hydraulic hammer.

- A truly professional performance: The tried and tested 3-cylinder diesel engine is a veritable powerhouse; efficient, economical and reliable.
- One-way auxiliary hydraulics is a standard feature: Ideal for operating the perfectly matched Wacker Neuson hydraulic hammer.
- The folding dozer blade always stays connected to the machine and can never be lost.
- The extended hydraulic telescopic chassis with an 860 mm external width gives added stability. It can be retracted to a width of 700 mm in no time at all.
- Extremely robust design.



**WACKER
NEUSON**
all it takes!

Technical specifications

Operating data

| | |
|------------------------------|----------------------|
| Shipping weight min. | 931 kg |
| Operating weight | 1,029 - 1,089 kg |
| Biting force max. | 4.5 kN |
| Breakout force max. | 8.9 kN |
| Digging depth max. | 1,763 mm |
| Dumping height | 2012 - 2035 mm |
| Digging radius max. | 3,090 mm |
| Superstructure slewing speed | 8 1/min |
| L x W x H | 2828 x 700 x 2261 mm |

Engine / Motor

| | |
|--------------------------------|---------------------------------------|
| Engine / Motor manufacturer | Yanmar |
| Engine / Motor type | 3TNV70 |
| Engine / Motor | Water-cooled 3-cylinder diesel engine |
| Displacement | 854 cm ³ |
| RPM / speed | 2,100 rpm |
| Engine performance acc. to ISO | 9.6 kW |
| Battery | 20 Ah |
| Tank capacity | 7 l |

Hydraulic system

| | |
|--|--------------|
| Duty pump | 2 gear pumps |
| Flow rate | 10.7 l/min |
| Operating pressure for working and traction hydraulics | 170 bar |
| Operating pressure Slewing gear | 70 bar |
| RPM / speed Superstructure | 8 rpm |
| Hydraulic oil tank | 14 l |

Wheel set

| | |
|------------------|----------|
| Travel speed | 1.8 km/h |
| Chain width | 180 mm |
| Ground clearance | 132 mm |

Dozer Blade

| | |
|------------|--------|
| Width min. | 700 mm |
| Height | 200 mm |

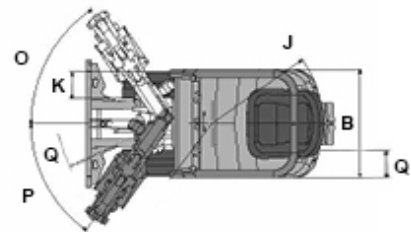
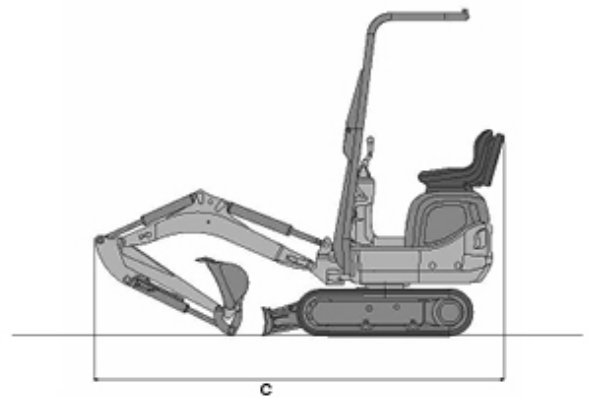
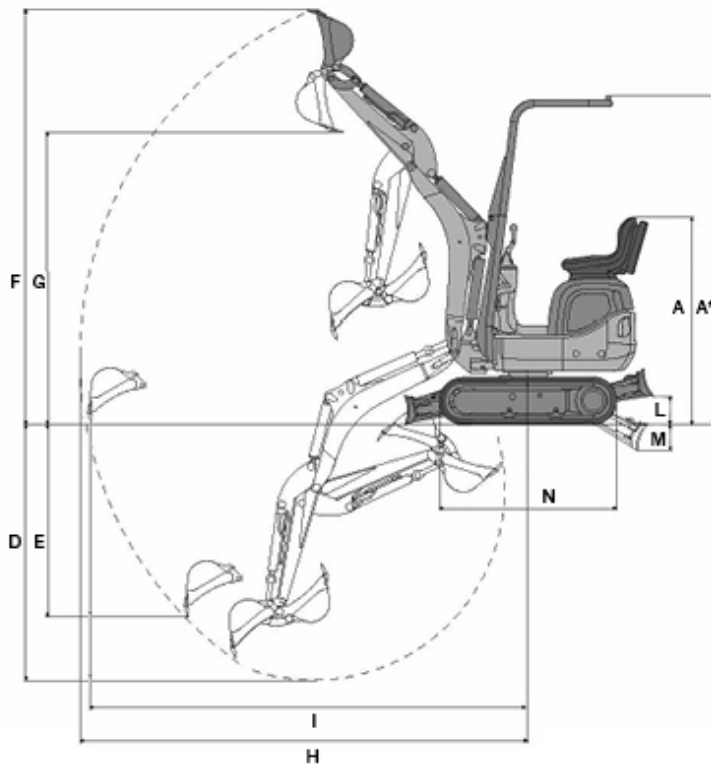
Sound level

| | |
|--|----------|
| Sound level (L _{WA}) acc. to 2000/14/EC | 93 dB(A) |
| Cabin - specified sound pressure level L _{pA} | 77 dB(A) |



**WACKER
NEUSON**
all it takes!

Dimensions



| | | |
|----|------------------------------------|----------|
| A* | Height | 2,261 mm |
| A | Height | 1,427 mm |
| B | Width Superstructure | 730 mm |
| B | Width Running gear width retracted | 700 mm |
| B | Width Running gear width extended | 860 mm |
| C | Transport length (arm lowered) | 2,828 mm |
| D | Digging depth max. | 1,763 mm |
| E | Insertion depth Max. | 1,320 mm |
| F | Insertion height Max. | 2,863 mm |
| G | Dump height max. | 2,012 mm |

| | | |
|---|---|----------|
| H | Digging radius max. | 3,090 mm |
| I | Range Max. reach on the ground | 3,028 mm |
| J | Rear swivel radius | 747 mm |
| K | Arm displacement Max. (from centre bucket right side) | 245 mm |
| K | Arm displacement Max. (from centre bucket left side) | 283 mm |
| L | Lift height (bulldozer blade above plane) | 197 mm |
| M | Scraping depth (bulldozer blade above plane) | 174 mm |
| N | Length Running gear | 1,220 mm |
| O | Turning angle Max. (arm system to right) | 56 ° |
| P | Turning angle Max. (arm system to left) | 55 ° |
| Q | Chain width | 180 mm |
| R | Boom slewing radius | 1,085 mm |

Please note

that product availability can vary from country to country. It is possible that information / products may not be available in your country. More detailed information on engine power can be found in the operator's manual; the stated power may vary due to specific operating conditions.

Subject to alterations and errors excepted. Applicable also to illustrations.

Copyright © 2017 Wacker Neuson SE.